



# Harbor

Exterior Solar Screen



Larger cassette system with a curved front.



Harbor | Longhorn Screens, Shades & Shutters



Harbor | Longhorn Screens, Shades & Shutters



The Outdoor Alchemist



Corradi USA



Harbor | Read Design Window Fashions

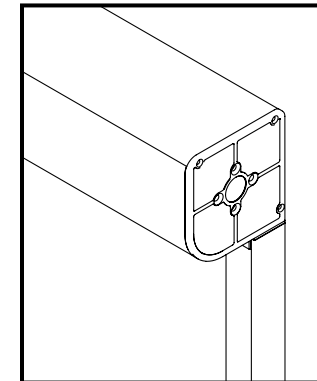
## HARBOR Exterior Solar Screen



**Harbor** is designed for unique larger and heavier screen applications. Exclusively manufactured by Corradi USA, the it offers even more protection from the sun and the elements with its greater size and impressive stability. Ideal for projects requiring 20-foot widths that as well as longer drop-lengths using thicker fabrics. Harbor consists of a square back cassette with a curved front that encloses a larger and sturdier roll-tube. There are a variety of side-guide options that include the ShyZip® Spring track system and cable guides. It can be mounted directly to the ceiling, soffit or wall with no need for brackets. The frame finish is available in our 9 beautiful designer matte-finish colors. Custom powder color upgrades are also available by request.

A sophisticated system that encompasses your outdoor space, Harbor gives you protection from the sun while allowing you to access gorgeous views without sacrifice. It is available manual or motorized to fulfill any screen control application. The manual option is offered with a detachable crank that can be used up to 16 feet.

*\*Please note Harbor does not use mounting brackets.*



### FRAME COLORS

#### POWDER COATING\*

The aluminum extrusions are painted with certified Qualicoat cycle epoxy powders.



\*RAL CUSTOM COLOR POWDER COATING IS ALSO AVAILABLE  
Differences in color tones in this brochure may occur due to the reproduction technique, therefore these finish images should not be used for final production specifications.

### FABRICS

**Corradi USA offers a wide variety of fabrics for exterior solar screens. Listed below are the standard and recommended fabrics.**

#### PHIFER

Insect screens and solar protection fabrics with a wide range of openness

<b>SHEERWEAVE:</b> 2000 & 2100	<b>SUNTEX:</b> 80, 90, 95, 97 & 99	<b>TUFFSCREEN</b> TUFFSCREEN NO-SEE-UM
-----------------------------------	---------------------------------------	---

#### SERGE FERRARI

Preconstraint tension vinyl and solar protection fabrics.

<b>SOLTIS HORIZON 86</b>	<b>SOLTIS HARMONY 88</b>
<b>SOLTIS PERFORM 92</b>	<b>SOLTIS PROOF W96 (WATERPROOF)</b>
<b>SOLTIS PROOF 502 (WATERPROOF)</b>	<b>SOLTIS OPAQUE</b>
<b>SOLTIS VEZIP</b>	

#### TEMPOTEST USA

Vibrant and durable injection dyed acrylic and solar protection fabrics.

<b>SOLID ACRYLICS</b>
<b>SOLID ACRYLICS FR</b>

#### CLEAR VINYL WINDOWS WITH BORDERS

Protect from rain & keep the view. Clear vinyl windows include vinyl coated textiles or acrylic fabric borders. Some limitations may apply. Not covered under warranty.

#### OTHER APPLICABLE FABRICS

Check with your authorized dealer for additional options.

### MOTORS

**SOMFY® 500 STARHEAD SERIES (MAESTRIA)**

### KEY DETAILS

**Max Width\*: 276"**

**Max Height\*\*: 192"**

\*Manual units can be made up to a 16' (192") max width.

\*Limited selection of fabrics available for widths greater than 18' (216").

\*\*Maximum height varies based on fabric selection. Horizontal seam may be required.

\*\*Maximum height for systems with clear vinyl windows is 108" without special approval.